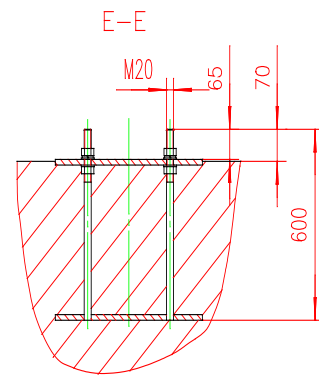
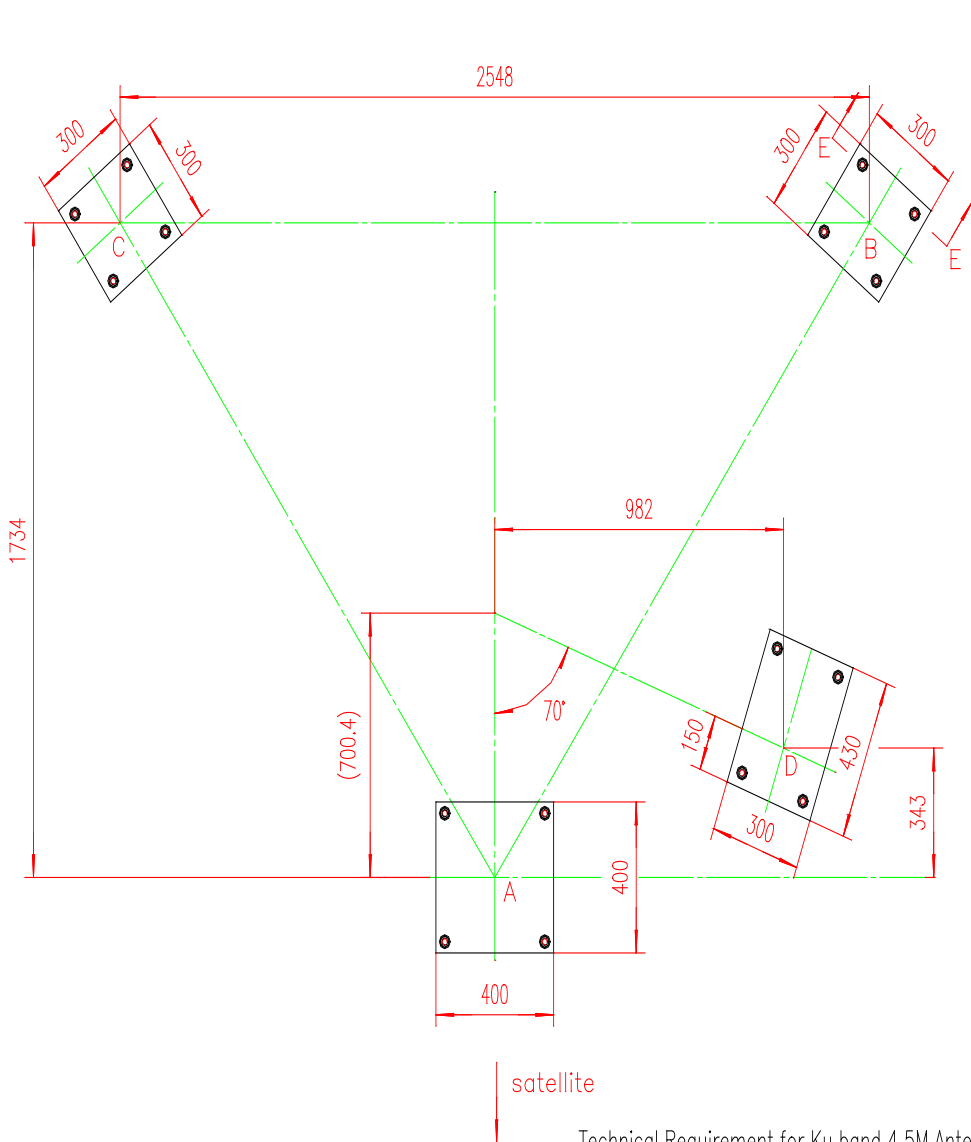


NWIEE 4.5M C AND KU ANTENNA FOUNDATIONS

NWIEE 4.5M Ku band antenna foundation:



Load at A,B,C of the Foundation for 4.5m Earth Station Unit:Ton

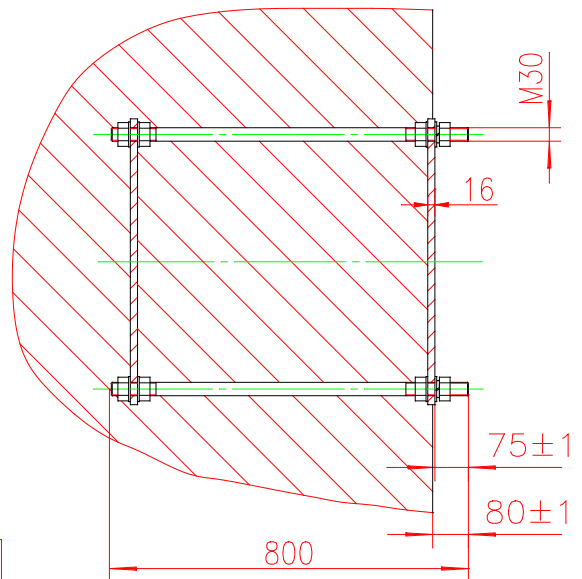
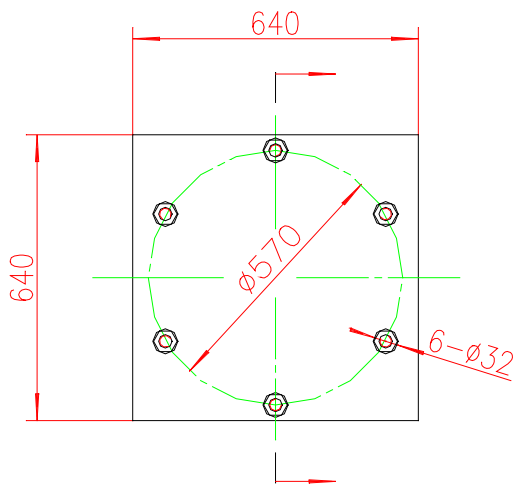
Load	Wind	55m/s	37m/s	28.4m/s	20m/s
Maximum pressure		6.2	3.58	2.69	2.05
Maximum lift		2.5	1.22	0.78	0.46
Maximum horizontal force		2.0	1.08	0.64	0.32

Note:The maximum horizontal force points D and E is 1.1 tons.

1. In the range of 500mmx500mm which respectively takes A,B,C as is center, the planeness error of the foundation should be less than 1mm, and planeness height of each point should be less than 2mm.
2. Vertical error for the exposed part of anchor bolt is less than 1.5mm.
3. The direction at which the arrow points is satellite.
4. Pay attention to the anchor bolts during construction. Coat the grease on the exposed part of the bolts and wrap them up till the antenna is installed so as to prevent all bolts from damage before installation.

Technical Requirement for Ku band 4.5M Antenna Foundation

NWIEE 4.5M C band antenna foundation:



Unit: Ton

Load \ Wind	75km/hr	100km/hr	140km/hr	200km/hr
Maximum lift	0.45	0.96	1.72	3.36
Maximum pressure	1.45	1.9	2.52	4.37
Maximum horizontal force	0.32	0.64	1.09	2.41

Fig. Foundation Diagram of Antenna (4.5m)

